

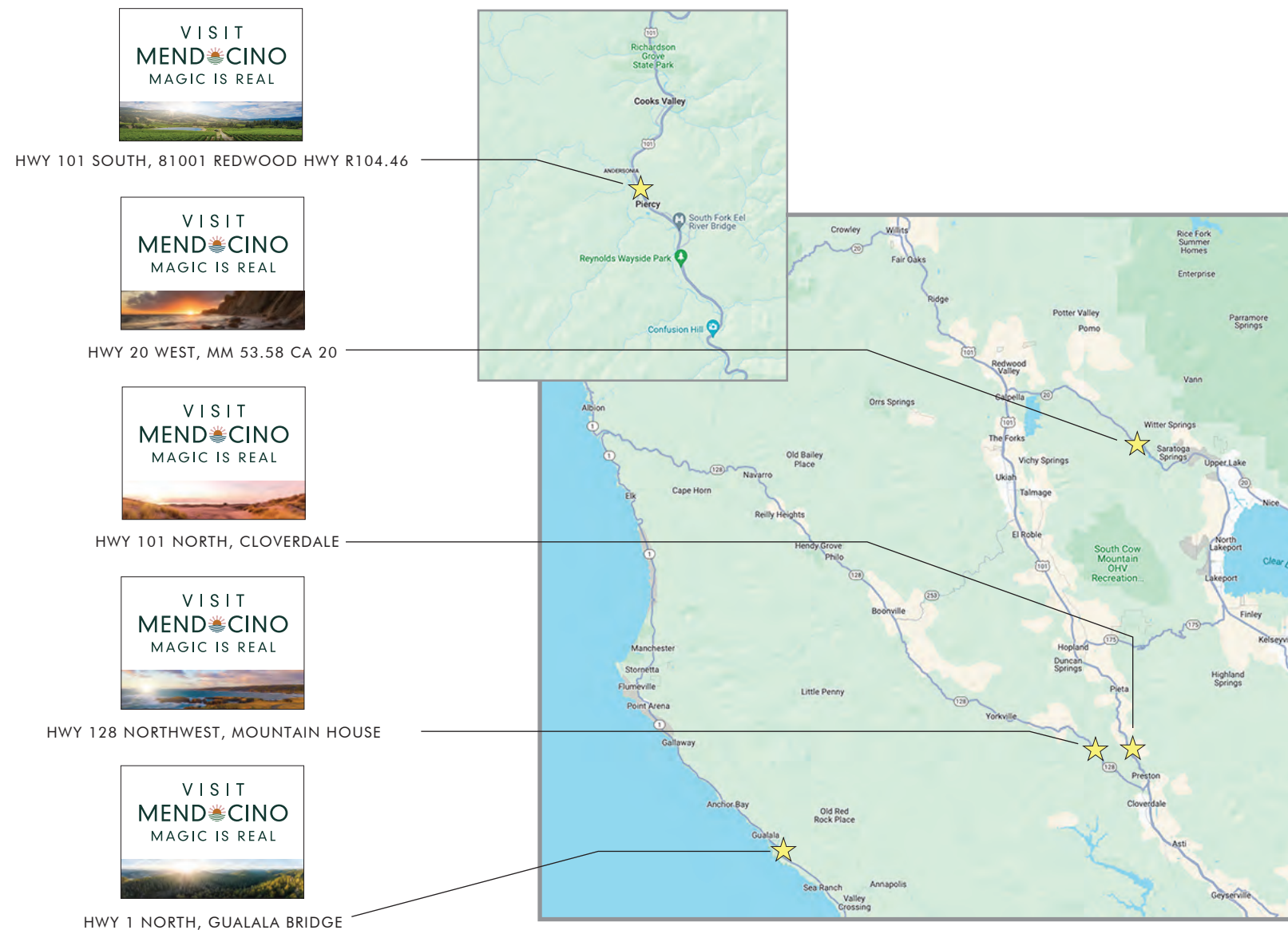
VISIT MENDOCINO MAGIC IS REAL

GATEWAY SIGNS - HWY 101 SOUTH, 81001 R104.46
July 31st, 2024

• COVER PAGE

- Pg 1 - Gateway Sign Location, Plan View
- Pg 2 - Gateway Sign Location, Front View
- Pg 3 - Gateway Sign Details

OVERALL PROJECT - GATEWAY SIGN LOCATION MAP



HWY 101 SOUTH, 81001 REDWOOD HWY R104.46



HWY 20 WEST, MM 53.58 CA 20



HWY 101 NORTH, CLOVERDALE



HWY 128 NORTHWEST, MOUNTAIN HOUSE



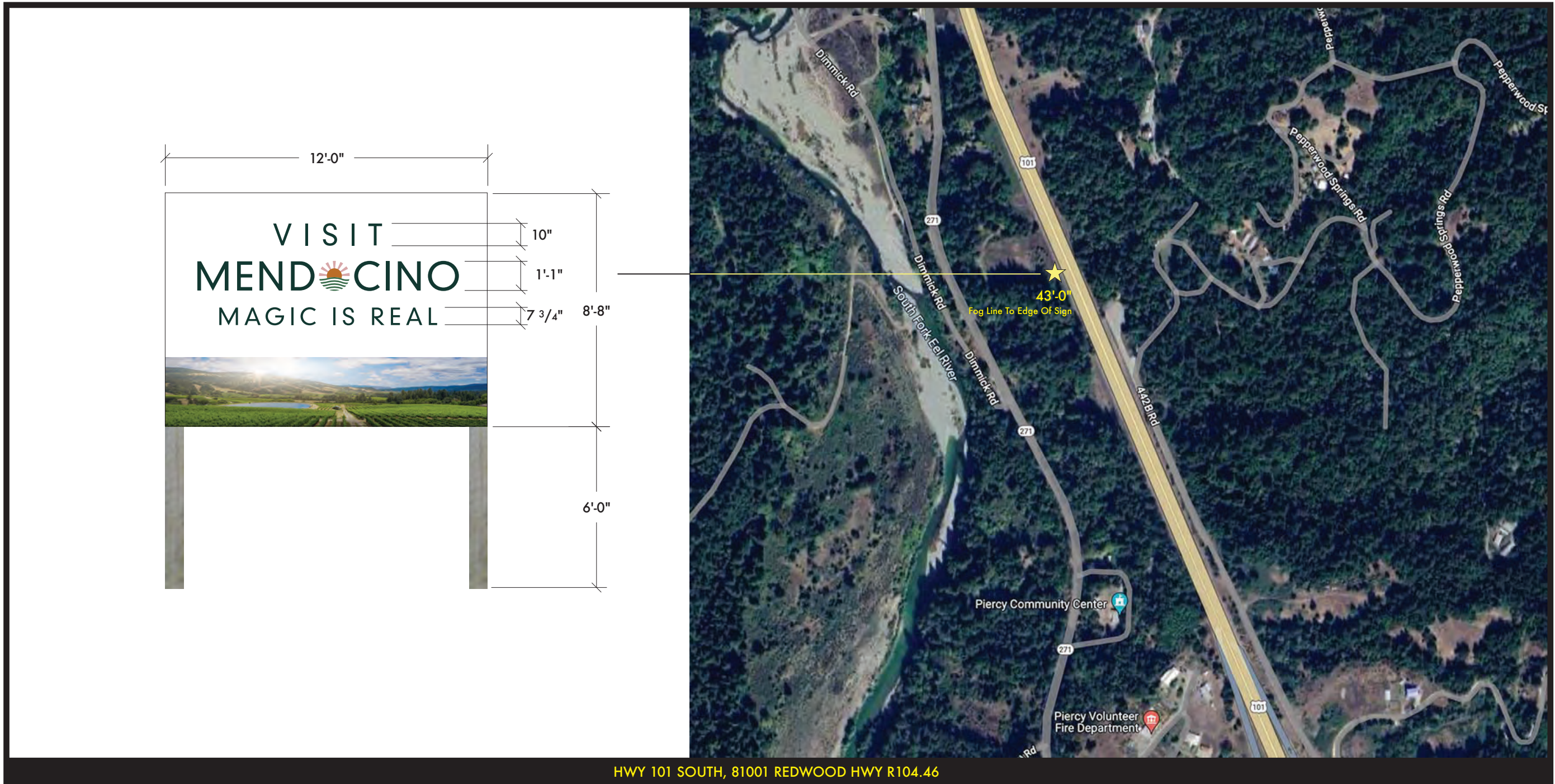
HWY 1 NORTH, GUALALA BRIDGE



2701 Road I
Redwood Valley CA 95470
707.485.7555
707.485.5081 (Fax)
Lic. 636883



1714 El Camino Way
Santa Rosa CA 95404
707.568.0398
mc-design@comcast.net



HWY 101 SOUTH, 81001 REDWOOD HWY R104.46

	MICHAEL COX DESIGN	PROJECT	DESCRIPTION	PHASE	SCALE	DATE/REVISIONS	PAGE
---	-----------------------	---------	-------------	-------	-------	----------------	------

2701 Road I
Redwood Valley CA 95470
707.485.7555
707.485.5081 (Fax)
Lic. 636883

1714 EL CAMINO WAY
SANTA ROSA CA 95404
707.568.0398
mc-design@comcast.net

VISIT
MENDOCINO

GATEWAY SIGNAGE
HWY 101 SOUTH, 81001 REDWOOD HWY
R104.46

FINAL

NTS

7.31.2024

1.0

© 2024, all rights reserved. This drawing, and the concepts, ideas, and design development expressed herein are intended for use on this project only, and remain the sole property of the creators. Original design concepts developed as part of this work remain the property and copyright of their respective owners.



HWY 101 SOUTH, 81001 REDWOOD HWY R104.46

	MICHAEL COX DESIGN	PROJECT	DESCRIPTION	PHASE	SCALE	DATE/REVISIONS	PAGE
---	-----------------------	---------	-------------	-------	-------	----------------	------

2701 Road I
Redwood Valley CA 95470
707.485.7555
707.485.5081 (Fax)
Lic. 636883

1714 EL CAMINO WAY
SANTA ROSA CA 95404
707.568.0398
mc-design@comcast.net

VISIT
MENDOCINO

GATEWAY SIGNAGE
HWY 101 SOUTH, 81001 REDWOOD HWY
R104.46

FINAL

1/16" = 1'-0"

7.31.2024

2.0

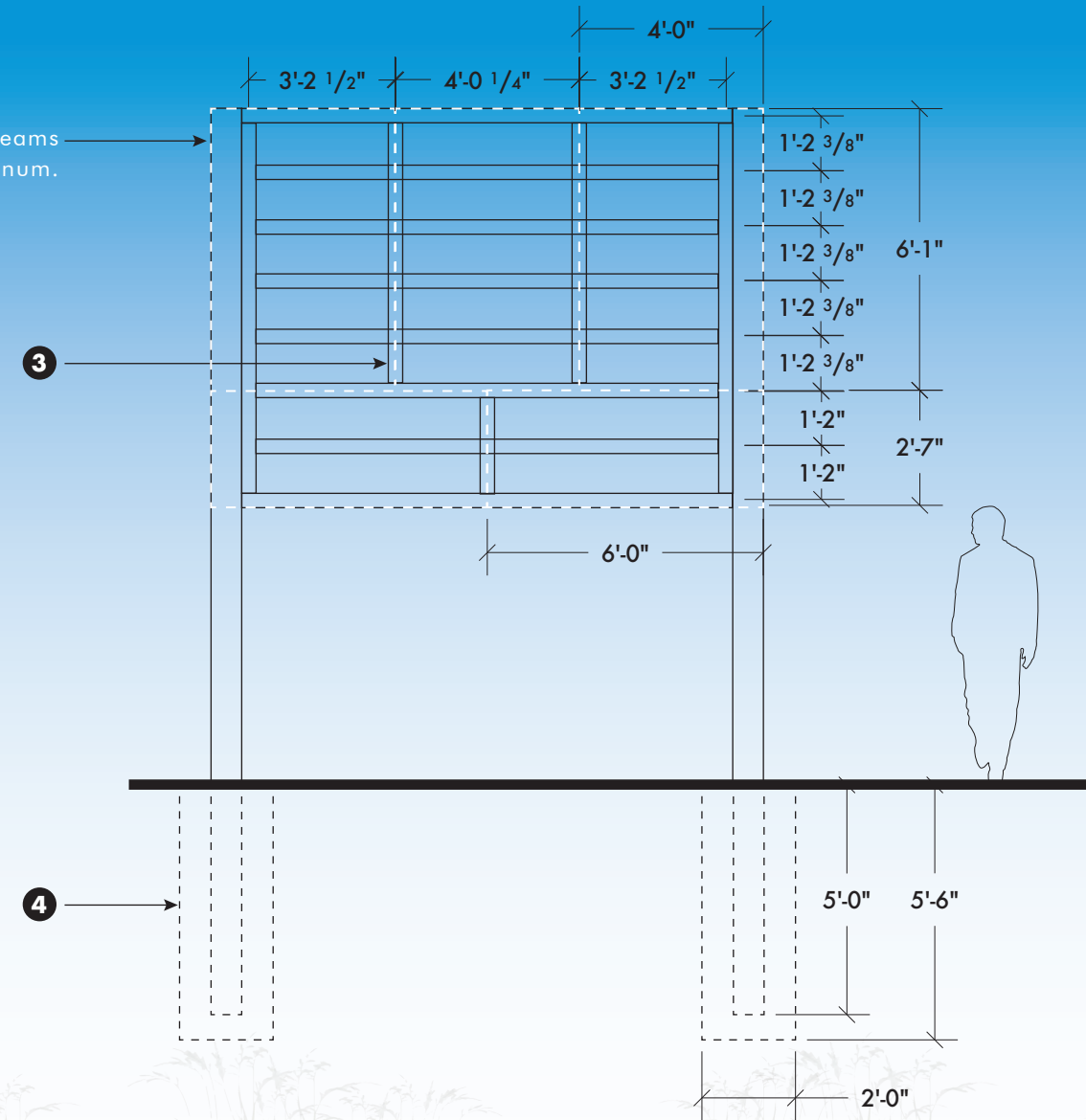
© 2024, all rights reserved. This drawing, and the concepts, ideas, and design development expressed herein are intended for use on this project only, and remain the sole property of the creators. Original design concepts developed as part of this work remain the property and copyright of their respective owners.

Sign Type: Gateway Signage (Single sided)
 Quantity: 1
 1: Digital printed face on .080 aluminum.
 2: 8" Pressure treated break away posts.
 3: 2"x4" Wood frame.
 4: Direct burial in concrete.

NOTE: Dashed lines indicate seams in face after printing to 4'x8' .080 aluminum.



FRONT VIEW - HWY 101 SOUTH, 81001 REDWOOD HWY R104.46



FRAME DETAIL



2701 Road I
 Redwood Valley CA 95470
 707.485.7555
 707.485.5081 (Fax)
 Lic. 636883

MICHAEL COX
 DESIGN

1714 EL CAMINO WAY
 SANTA ROSA CA 95404
 707.568.0398
 mc-design@comcast.net

PROJECT

VISIT
 MENDOCINO

DESCRIPTION

GATEWAY SIGNAGE
 HWY 101 SOUTH
 81001 REDWOOD HWY R104.46

PHASE

FINAL

SCALE

1/4" = 1'-0"

DATE/REVISIONS

7.31.2024

PAGE

3.0

© 2024, all rights reserved. This drawing, and the concepts, ideas, and design development expressed herein are intended for use on this project only, and remain the sole property of the creators. Original design concepts developed as part of this work remain the property and copyright of their respective owners.

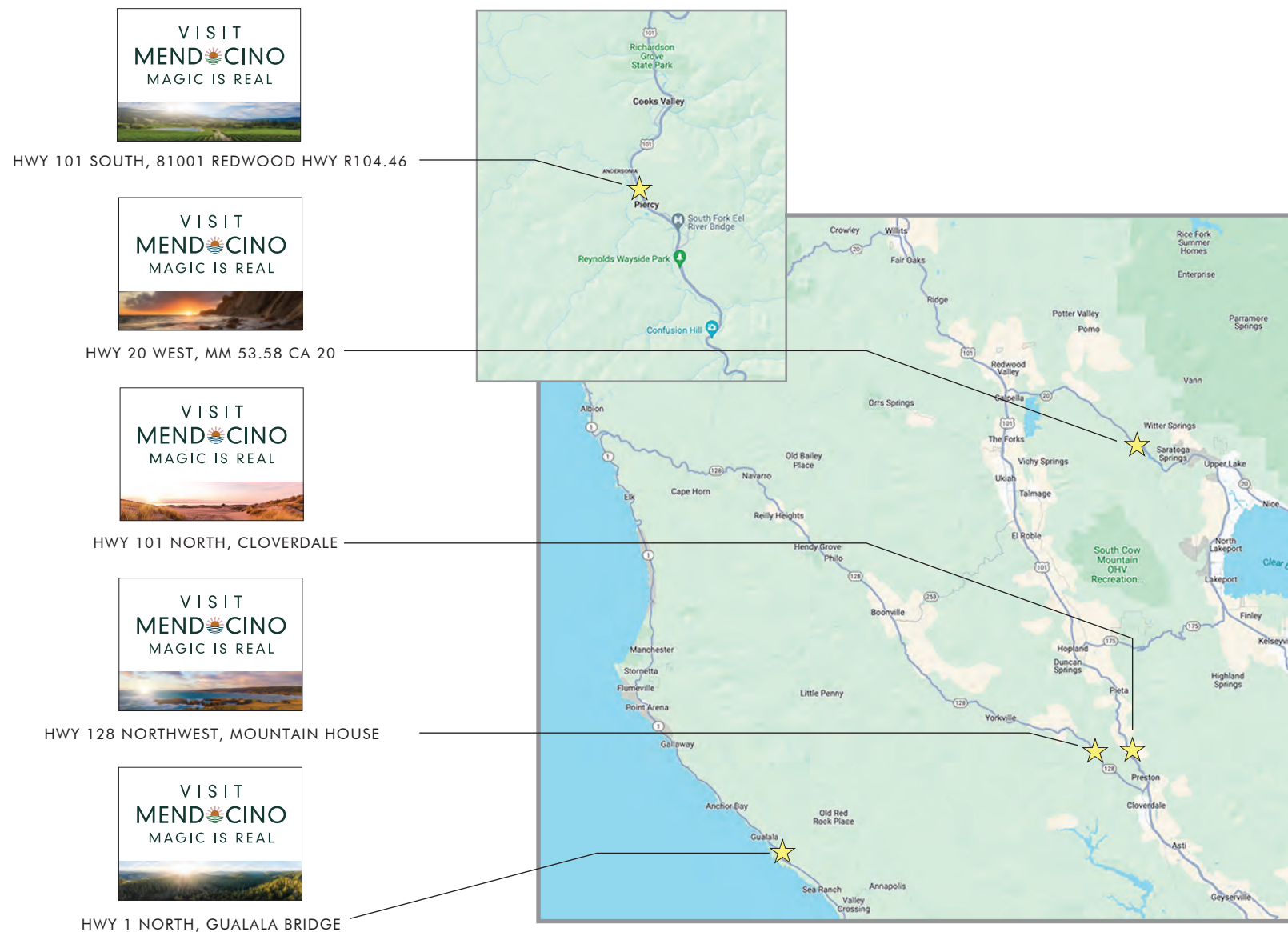
VISIT MENDOCINO MAGIC IS REAL

GATEWAY SIGNS - HWY 101 North, Cloverdale
July 31st, 2024

• COVER PAGE

- Pg 1 - Gateway Sign Location, Plan View
- Pg 2 - Gateway Sign Location, Front View
- Pg 3 - Gateway Sign Details

OVERALL PROJECT - GATEWAY SIGN LOCATION MAP



HWY 101 SOUTH, 81001 REDWOOD HWY R104.46



HWY 20 WEST, MM 53.58 CA 20



HWY 101 NORTH, CLOVERDALE



HWY 128 NORTHWEST, MOUNTAIN HOUSE



HWY 1 NORTH, GUALALA BRIDGE



2701 Road I
Redwood Valley CA 95470
707.485.7555
707.485.5081 (Fax)
Lic. 636883

MICHAEL COX
DESIGN

1714 El Camino Way
Santa Rosa CA 95404
707.568.0398
mc-design@comcast.net



HWY 101 NORTH, CLOVERDALE

	MICHAEL COX DESIGN	PROJECT	DESCRIPTION	PHASE	SCALE	DATE/REVISIONS	PAGE
---	-----------------------	---------	-------------	-------	-------	----------------	------

2701 Road I
Redwood Valley CA 95470
707.485.7555
707.485.5081 (Fax)
Lic. 636883

1714 EL CAMINO WAY
SANTA ROSA CA 95404
707.568.0398
mc-design@comcast.net

VISIT
MENDOCINO

GATEWAY SIGNAGE
HWY 101 NORTH, CLOVERDALE

FINAL

NTS

7.31.2024

1.0

© 2024, all rights reserved. This drawing, and the concepts, ideas, and design development expressed herein are intended for use on this project only, and remain the sole property of the creators. Original design concepts developed as part of this work remain the property and copyright of their respective owners.



HWY 101 NORTH, CLOVERDALE

	MICHAEL COX DESIGN	PROJECT	DESCRIPTION	PHASE	SCALE	DATE/REVISIONS	PAGE
---	-----------------------	---------	-------------	-------	-------	----------------	------

2701 Road I
Redwood Valley CA 95470
707.485.7555
707.485.5081 (Fax)
Lic. 636883

1714 EL CAMINO WAY
SANTA ROSA CA 95404
707.568.0398
mc-design@comcast.net

VISIT
MENDOCINO

GATEWAY SIGNAGE
HWY 101 NORTH, CLOVERDALE

FINAL

1/16" = 1'-0"

7.31.2024

2.0

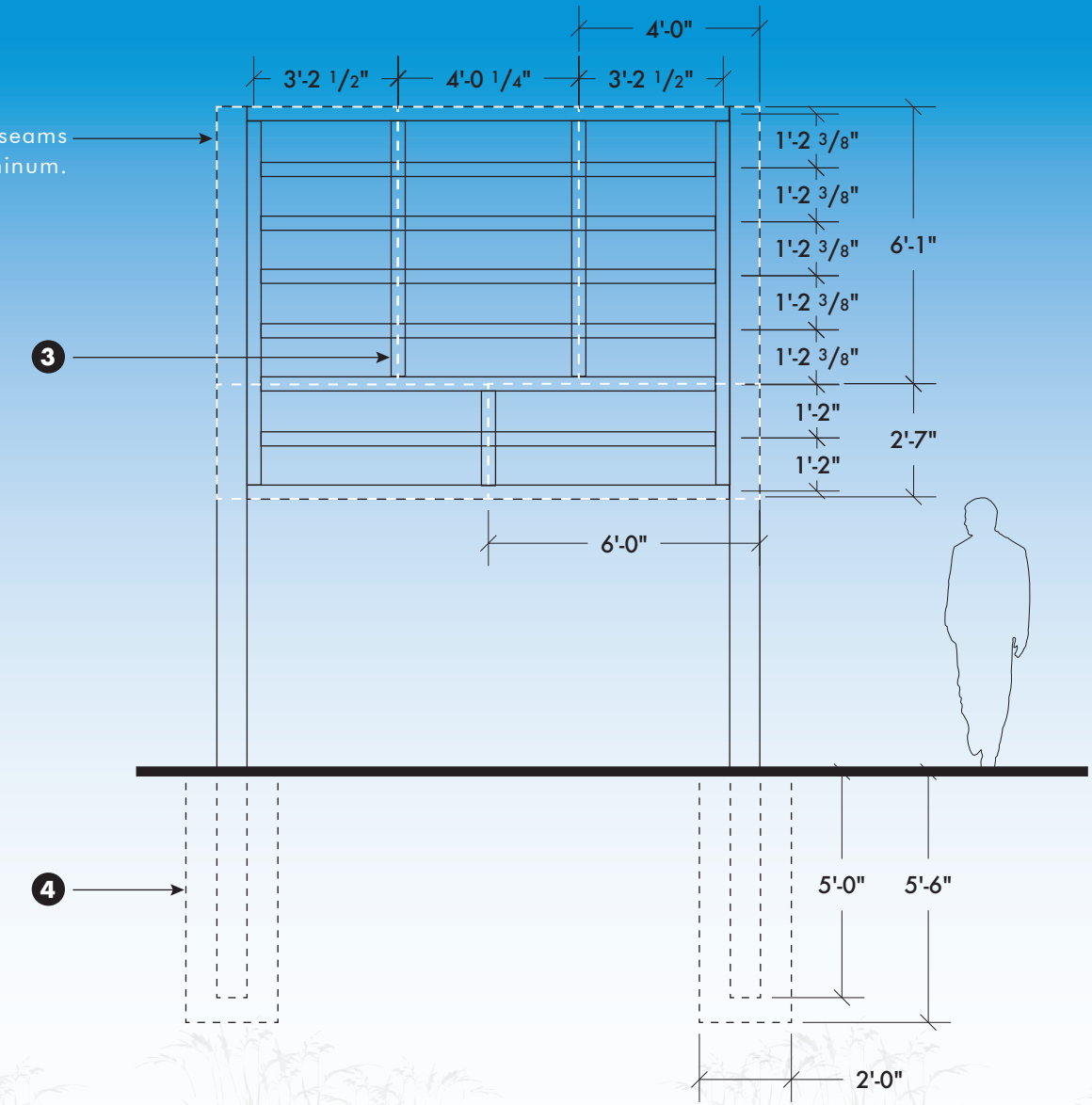
© 2024, all rights reserved. This drawing, and the concepts, ideas, and design development expressed herein are intended for use on this project only, and remain the sole property of the creators. Original design concepts developed as part of this work remain the property and copyright of their respective owners.

Sign Type: Gateway Signage (Single sided)
 Quantity: 1
 1: Digital printed face on .080 aluminum.
 2: 8" Pressure treated break away posts.
 3: 2"x4" Wood frame.
 4: Direct burial in concrete.

NOTE: Dashed lines indicate seams in face after printing to 4'x8' .080 aluminum.



FRONT VIEW - HWY 101 NORTH, CLOVERDALE



FRAME DETAIL



MICHAEL COX
DESIGN

2701 Road I
Redwood Valley CA 95470
707.485.7555
707.485.5081 (Fax)
Lic. 636883

1714 EL CAMINO WAY
SANTA ROSA CA 95404
707.568.0398
mc-design@comcast.net

PROJECT	DESCRIPTION	PHASE	SCALE	DATE/REVISIONS	PAGE
VISIT MENDOCINO	GATEWAY SIGNAGE HWY 101 NORTH, CLOVERDALE	FINAL	1/4" = 1'-0"	7.31.2024	3.0

© 2024, all rights reserved. This drawing, and the concepts, ideas, and design development expressed herein are intended for use on this project only, and remain the sole property of the creators. Original design concepts developed as part of this work remain the property and copyright of their respective owners.

VISIT MENDOCINO MAGIC IS REAL

GATEWAY SIGNS - HWY 1 NORTH, GUALALA BRIDGE
July 31st, 2024

• COVER PAGE

- Pg 1 - Gateway Sign Location, Plan View
- Pg 2 - Gateway Sign Location, Front View
- Pg 3 - Gateway Sign Details

OVERALL PROJECT - GATEWAY SIGN LOCATION MAP



2701 Road I
Redwood Valley CA 95470
707.485.7555
707.485.5081 (Fax)
Lic. 636883

MICHAEL COX
DESIGN

1714 El Camino Way
Santa Rosa CA 95404
707.568.0398
mc-design@comcast.net



PARAMOUNT SIGN CONTRACTORS	MICHAEL COX DESIGN	PROJECT	DESCRIPTION	PHASE	SCALE	DATE/REVISIONS	PAGE
----------------------------	--------------------	---------	-------------	-------	-------	----------------	------

2701 Road I
 Redwood Valley CA 95470
 707.485.7555
 707.485.5081 (Fax)
 Lic. 636883

1714 EL CAMINO WAY
 SANTA ROSA CA 95404
 707.568.0398
 mc-design@comcast.net

VISIT
 MENDOCINO

GATEWAY SIGNAGE
 HWY 1 NORTH, GUALALA BRIDGE

FINAL

NTS

7.31.2024

1.0

© 2024, all rights reserved. This drawing, and the concepts, ideas, and design development expressed herein are intended for use on this project only, and remain the sole property of the creators. Original design concepts developed as part of this work remain the property and copyright of their respective owners.



HWY 1 NORTH, GUALALA BRIDGE

	MICHAEL COX DESIGN	PROJECT	DESCRIPTION	PHASE	SCALE	DATE/REVISIONS	PAGE
---	-----------------------	---------	-------------	-------	-------	----------------	------

2701 Road I
Redwood Valley CA 95470
707.485.7555
707.485.5081 (Fax)
Lic. 636883

1714 EL CAMINO WAY
SANTA ROSA CA 95404
707.568.0398
mc-design@comcast.net

VISIT
MENDOCINO

GATEWAY SIGNAGE
HWY 1 NORTH, GUALALA BRIDGE

DEVELOPMENT

1/8" = 1'-0"

7.31.2024

2.0

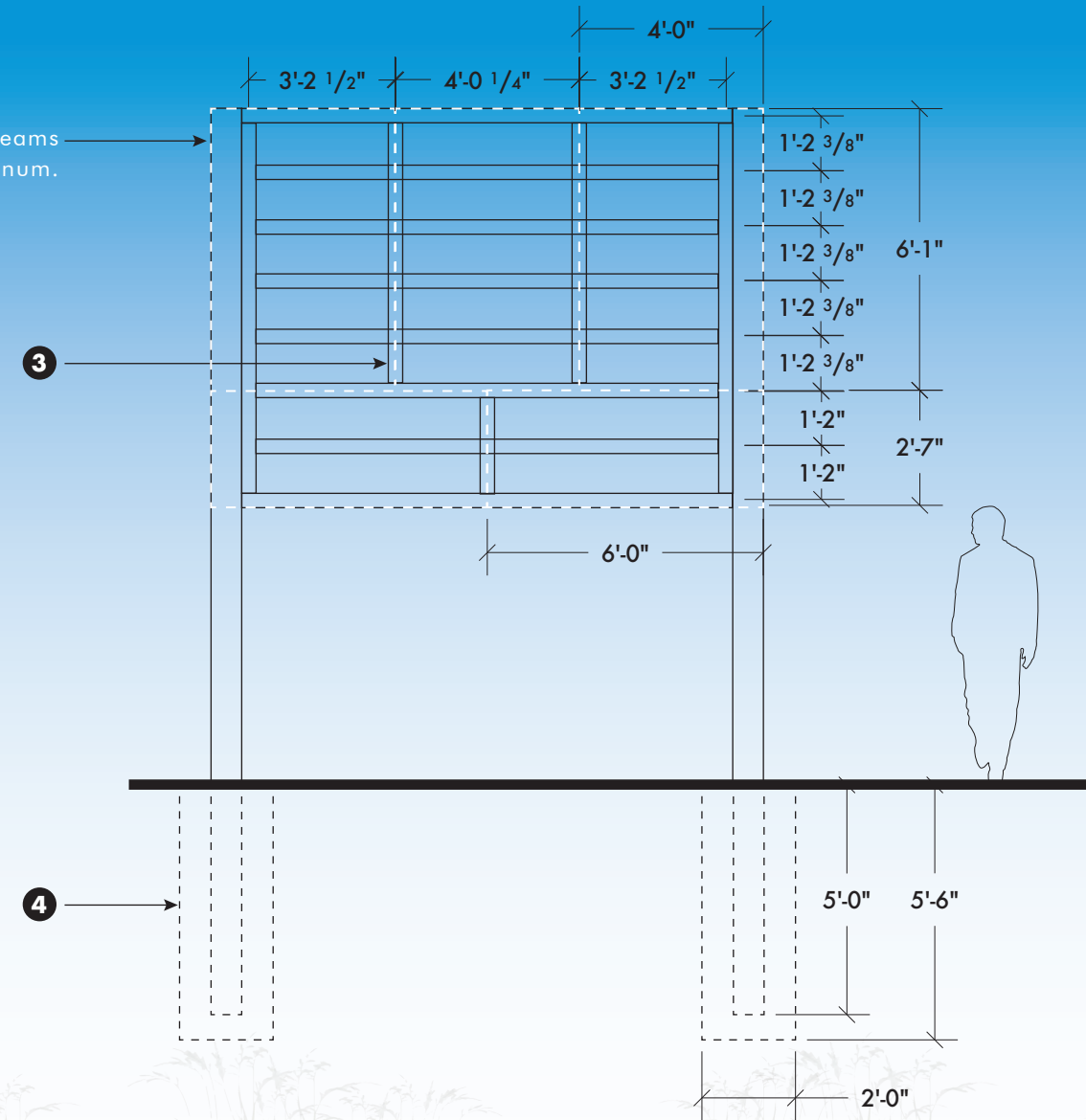
© 2024, all rights reserved. This drawing, and the concepts, ideas, and design development expressed herein are intended for use on this project only, and remain the sole property of the creators. Original design concepts developed as part of this work remain the property and copyright of their respective owners.

Sign Type: Gateway Signage (Single sided)
 Quantity: 1
 1: Digital printed face on .080 aluminum.
 2: 8" Pressure treated break away posts.
 3: 2"x4" Wood frame.
 4: Direct burial in concrete.

NOTE: Dashed lines indicate seams in face after printing to 4'x8' .080 aluminum.



FRONT VIEW - HWY 1 NORTH, GUALALA BRIDGE



FRAME DETAIL



MICHAEL COX
DESIGN

2701 Road 1
 Redwood Valley CA 95470
 707.485.7555
 707.485.5081 (Fax)
 Lic. 636883

1714 EL CAMINO WAY
 SANTA ROSA CA 95404
 707.568.0398
 mc-design@comcast.net

PROJECT	DESCRIPTION	PHASE	SCALE	DATE/REVISIONS	PAGE
VISIT MENDOCINO	GATEWAY SIGNAGE HWY 1 NORTH, GUALALA BRIDGE	FINAL	1/4" = 1'-0"	7.31.2024	3.0

© 2024, all rights reserved. This drawing, and the concepts, ideas, and design development expressed herein are intended for use on this project only, and remain the sole property of the creators. Original design concepts developed as part of this work remain the property and copyright of their respective owners.

VISIT MENDOCINO MAGIC IS REAL

SIGN PERMIT TO BE OBTAINED
GATEWAY SIGNS - HWY 128 NORTHWEST, MOUNTAIN HOUSE
July 31st, 2024

OVERALL PROJECT - GATEWAY SIGN LOCATION MAP

• COVER PAGE

- Pg 1 - Gateway Sign Location, Plan View
- Pg 2 - Gateway Sign Location, Front View
- Pg 3 - Gateway Sign Details



HWY 101 SOUTH, 81001 REDWOOD HWY R104.46



HWY 20 WEST, MM 53.58 CA 20



HWY 101 NORTH, CLOVERDALE



HWY 128 NORTHWEST, MOUNTAIN HOUSE



HWY 1 NORTH, GUALALA BRIDGE



2701 Road I
Redwood Valley CA 95470
707.485.7555
707.485.5081 (Fax)
Lic. 636883

MICHAEL COX
DESIGN

1714 El Camino Way
Santa Rosa CA 95404
707.568.0398
mc-design@comcast.net



HWY 128 NORTHWEST, MOUNTAIN HOUSE

PARAMOUNT SIGN CONTRACTORS	MICHAEL COX DESIGN	PROJECT	DESCRIPTION	PHASE	SCALE	DATE/REVISIONS	PAGE
----------------------------	--------------------	---------	-------------	-------	-------	----------------	------

2701 Road I
 Redwood Valley CA 95470
 707.485.7555
 707.485.5081 (Fax)
 Lic. 636883

1714 EL CAMINO WAY
 SANTA ROSA CA 95404
 707.568.0398
 mc-design@comcast.net

VISIT
 MENDOCINO

GATEWAY SIGNAGE
 HWY 128 NORTHWEST, MOUNTAIN HOUSE

FINAL

NTS

7.31.2024

1.0

© 2024, all rights reserved. This drawing, and the concepts, ideas, and design development expressed herein are intended for use on this project only, and remain the sole property of the creators. Original design concepts developed as part of this work remain the property and copyright of their respective owners.



HWY 128 NORTHWEST, MOUNTAIN HOUSE

	MICHAEL COX DESIGN	PROJECT	DESCRIPTION	PHASE	SCALE	DATE/REVISIONS	PAGE
---	-----------------------	---------	-------------	-------	-------	----------------	------

2701 Road I
Redwood Valley CA 95470
707.485.7555
707.485.5081 (Fax)
Lic. 636883

1714 EL CAMINO WAY
SANTA ROSA CA 95404
707.568.0398
mc-design@comcast.net

VISIT
MENDOCINO

GATEWAY SIGNAGE
HWY 128 NORTHWEST, MOUNTAIN HOUSE

DEVELOPMENT

1/8" = 1'-0"

7.31.2024

3.0

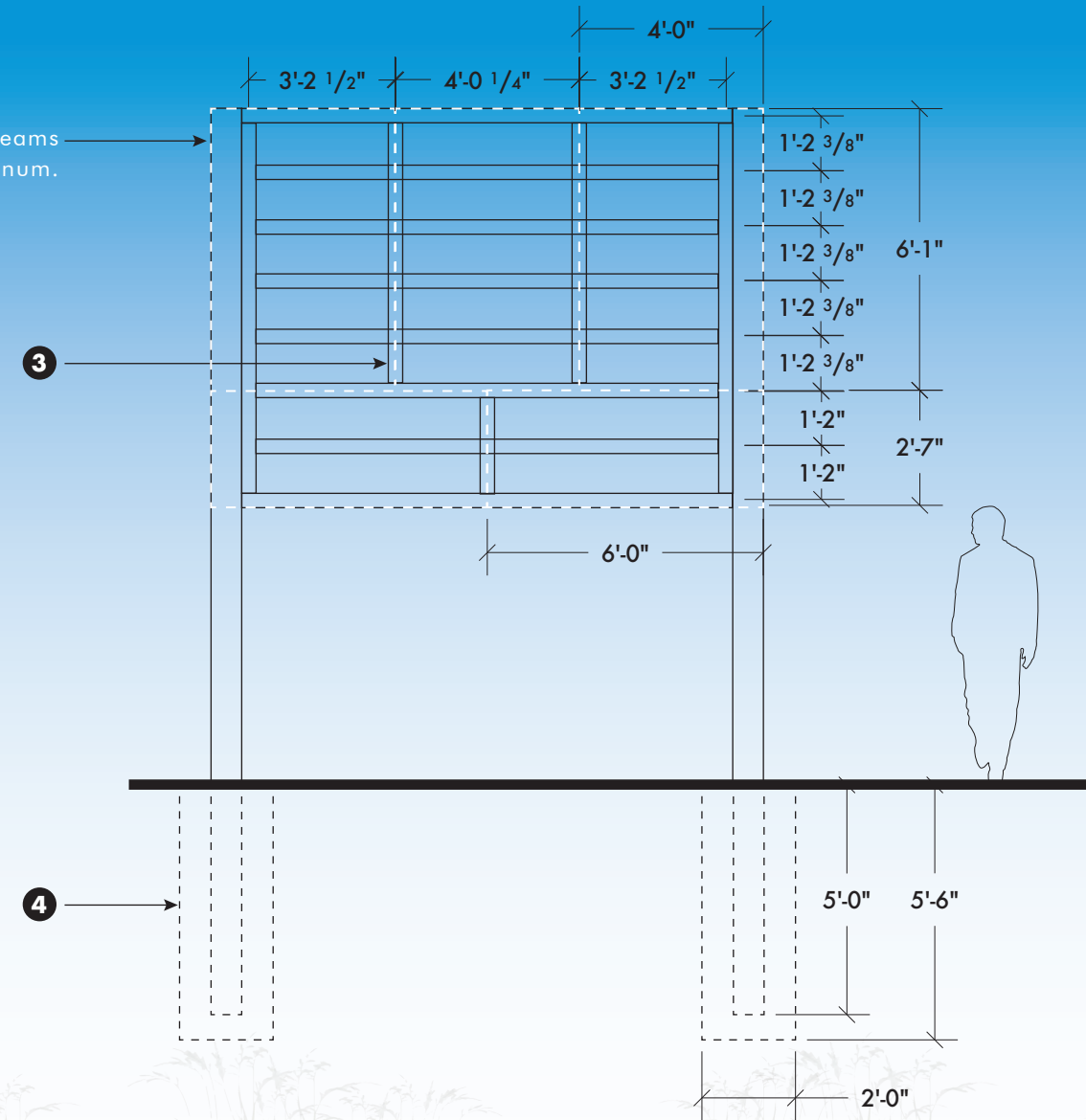
© 2024, all rights reserved. This drawing, and the concepts, ideas, and design development expressed herein are intended for use on this project only, and remain the sole property of the creators. Original design concepts developed as part of this work remain the property and copyright of their respective owners.

Sign Type: Gateway Signage (Single sided)
 Quantity: 1
 1: Digital printed face on .080 aluminum.
 2: 8" Pressure treated break away posts.
 3: 2"x4" Wood frame.
 4: Direct burial in concrete.

NOTE: Dashed lines indicate seams in face after printing to 4'x8' .080 aluminum.



FRONT VIEW - HWY 128 NORTHWEST, MOUNTAIN HOUSE



FRAME DETAIL



2701 Road I
 Redwood Valley CA 95470
 707.485.7555
 707.485.5081 (Fax)
 Lic. 636883

MICHAEL COX
 DESIGN

1714 EL CAMINO WAY
 SANTA ROSA CA 95404
 707.568.0398
 mc-design@comcast.net

PROJECT	DESCRIPTION	PHASE	SCALE	DATE/REVISIONS	PAGE
VISIT MENDOCINO	GATEWAY SIGNAGE HWY 128 NORTHWEST, MOUNTAIN HOUSE	FINAL	1/4" = 1'-0"	7.31.2024	3.0

© 2024, all rights reserved. This drawing, and the concepts, ideas, and design development expressed herein are intended for use on this project only, and remain the sole property of the creators. Original design concepts developed as part of this work remain the property and copyright of their respective owners.

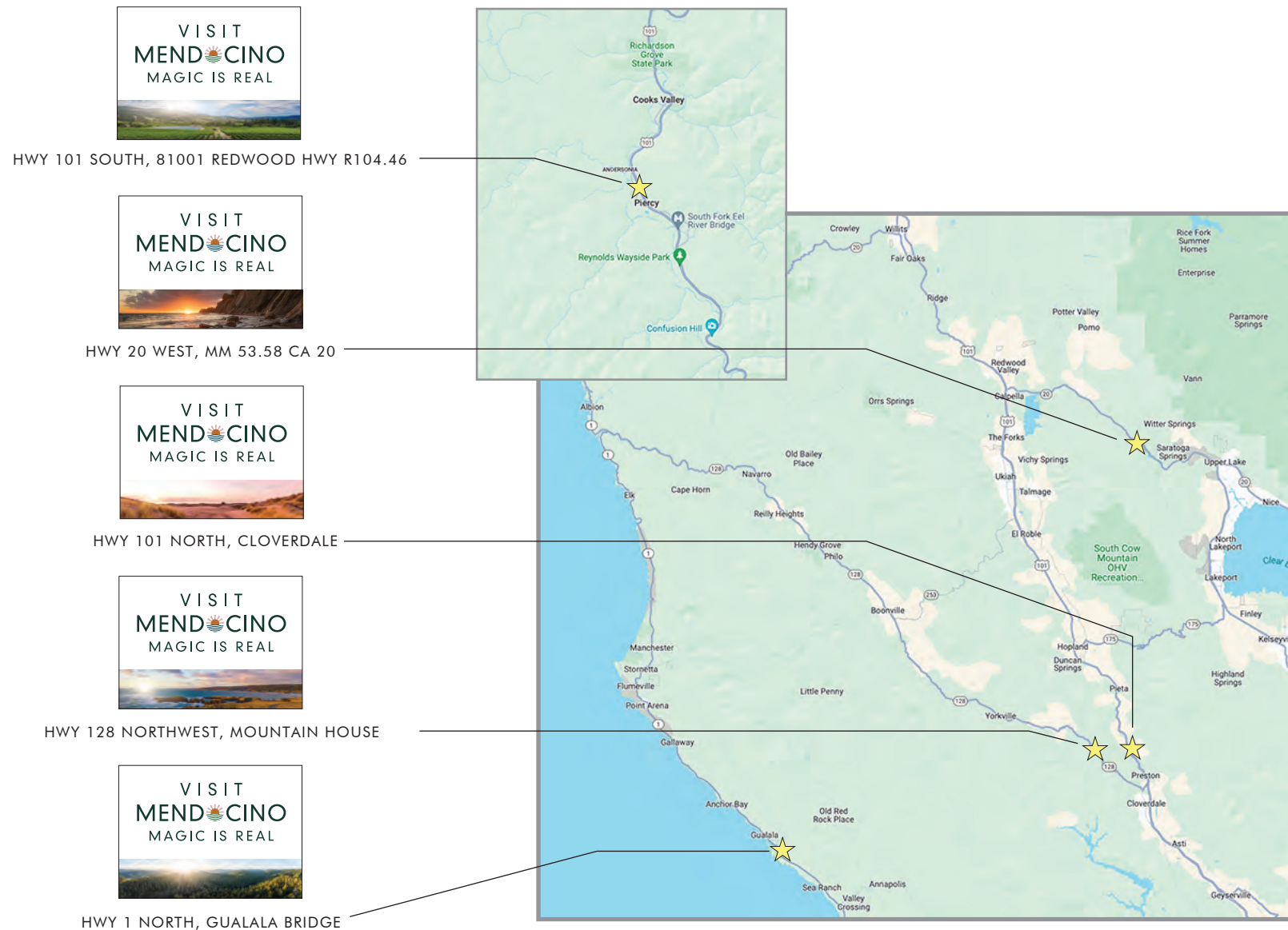
VISIT MENDOCINO MAGIC IS REAL

GATEWAY SIGNS - HWY 20 WEST, MM 53.58 CA 20
July 31st, 2024

• COVER PAGE

- Pg 1 - Gateway Sign Location, Plan View
- Pg 2 - Gateway Sign Location, Front View
- Pg 3 - Gateway Sign Details

OVERALL PROJECT - GATEWAY SIGN LOCATION MAP



2701 Road I
Redwood Valley CA 95470
707.485.7555
707.485.5081 (Fax)
Lic. 636883



1714 El Camino Way
Santa Rosa CA 95404
707.568.0398
mc-design@comcast.net



HWY 20 WEST, MM53.58 CA 20

	MICHAEL COX DESIGN	PROJECT	DESCRIPTION	PHASE	SCALE	DATE/REVISIONS	PAGE
---	-----------------------	---------	-------------	-------	-------	----------------	------

2701 Road I
Redwood Valley CA 95470
707.485.7555
707.485.5081 (Fax)
Lic. 636883

1714 EL CAMINO WAY
SANTA ROSA CA 95404
707.568.0398
mc-design@comcast.net

VISIT
MENDOCINO

GATEWAY SIGNAGE
HWY 20 WEST, MM53.58 CA 20

FINAL

NTS

7.31.2024

1.0

© 2024, all rights reserved. This drawing, and the concepts, ideas, and design development expressed herein are intended for use on this project only, and remain the sole property of the creators. Original design concepts developed as part of this work remain the property and copyright of their respective owners.



HWY 20 WEST, MM 53.58 CA 20

	MICHAEL COX DESIGN	PROJECT	DESCRIPTION	PHASE	SCALE	DATE/REVISIONS	PAGE
---	-----------------------	---------	-------------	-------	-------	----------------	------

2701 Road I
Redwood Valley CA 95470
707.485.7555
707.485.5081 (Fax)
Lic. 636883

1714 EL CAMINO WAY
SANTA ROSA CA 95404
707.568.0398
mc-design@comcast.net

VISIT
MENDOCINO

GATEWAY SIGNAGE
HWY 20 WEST, MM 53.58 CA 20

DEVELOPMENT

1/16" = 1'-0"

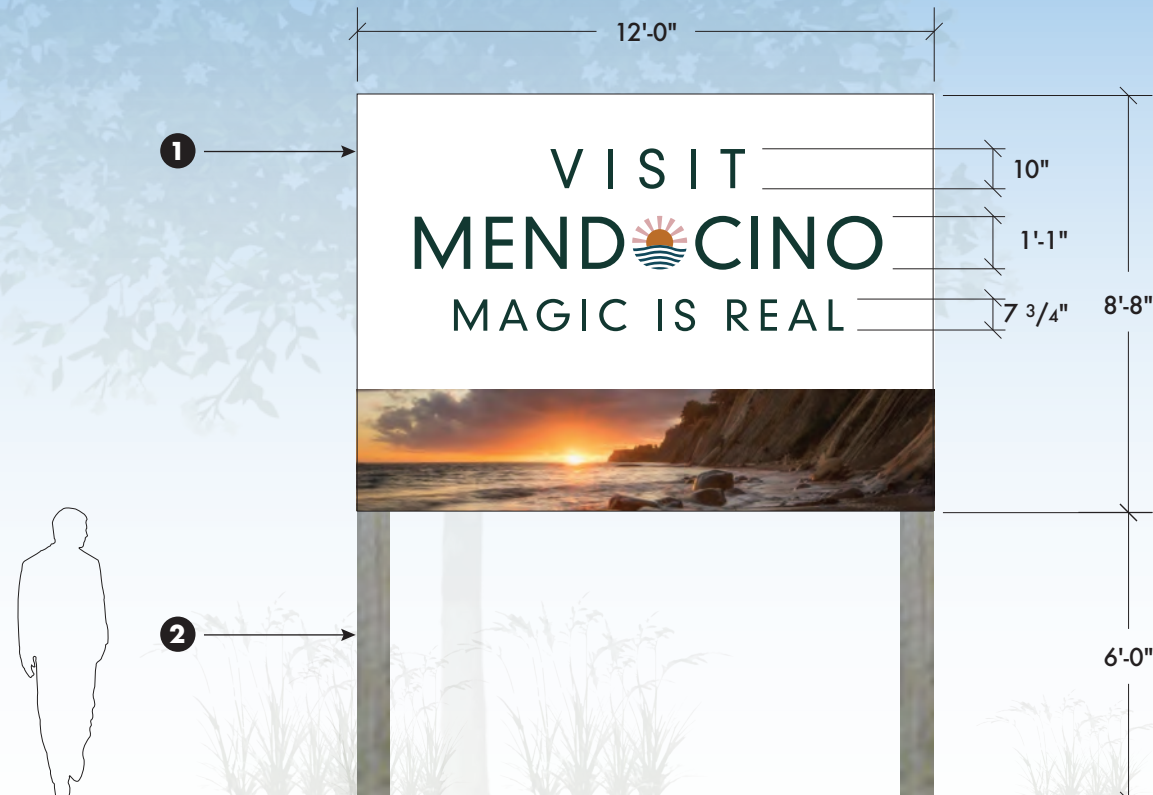
7.31.2024

2.0

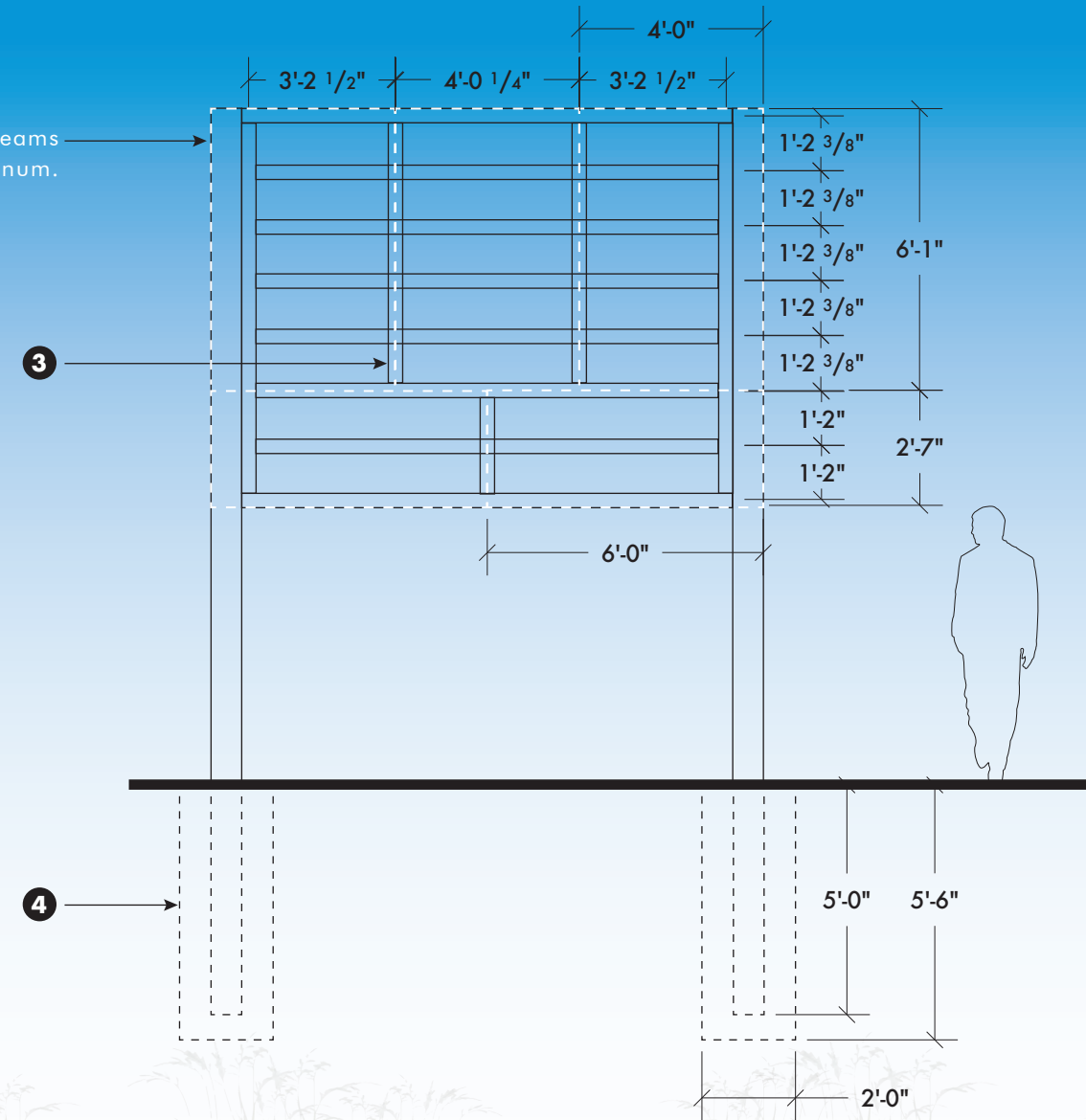
© 2024, all rights reserved. This drawing, and the concepts, ideas, and design development expressed herein are intended for use on this project only, and remain the sole property of the creators. Original design concepts developed as part of this work remain the property and copyright of their respective owners.

Sign Type: Gateway Signage (Single sided)
 Quantity: 1
 1: Digital printed face on .080 aluminum.
 2: 8" Pressure treated break away posts.
 3: 2"x4" Wood frame.
 4: Direct burial in concrete.

NOTE: Dashed lines indicate seams in face after printing to 4'x8' .080 aluminum.



FRONT VIEW - HWY 20 WEST, MM53.58 CA 20



FRAME DETAIL



2701 Road I
 Redwood Valley CA 95470
 707.485.7555
 707.485.5081 (Fax)
 Lic. 636883

MICHAEL COX
 DESIGN

1714 EL CAMINO WAY
 SANTA ROSA CA 95404
 707.568.0398
 mc-design@comcast.net

PROJECT

VISIT
 MENDOCINO

DESCRIPTION

GATEWAY SIGNAGE
 HWY 20 WEST, MM53.58 CA 20

PHASE

FINAL

SCALE

1/4" = 1'-0"

DATE/REVISIONS

7.31.2024

PAGE

3.0

© 2024, all rights reserved. This drawing, and the concepts, ideas, and design development expressed herein are intended for use on this project only, and remain the sole property of the creators. Original design concepts developed as part of this work remain the property and copyright of their respective owners.