

VISIT MENDOCINO MAGIC IS REAL

GATEWAY SIGNS - HWY 20 WEST, MM 53.58 CA 20
JUNE 25TH, 2024

• COVER PAGE

- Pg 1 - Gateway Sign Location, Plan View
- Pg 2 - Gateway Sign Location, Front View
- Pg 3 - Gateway Sign Details

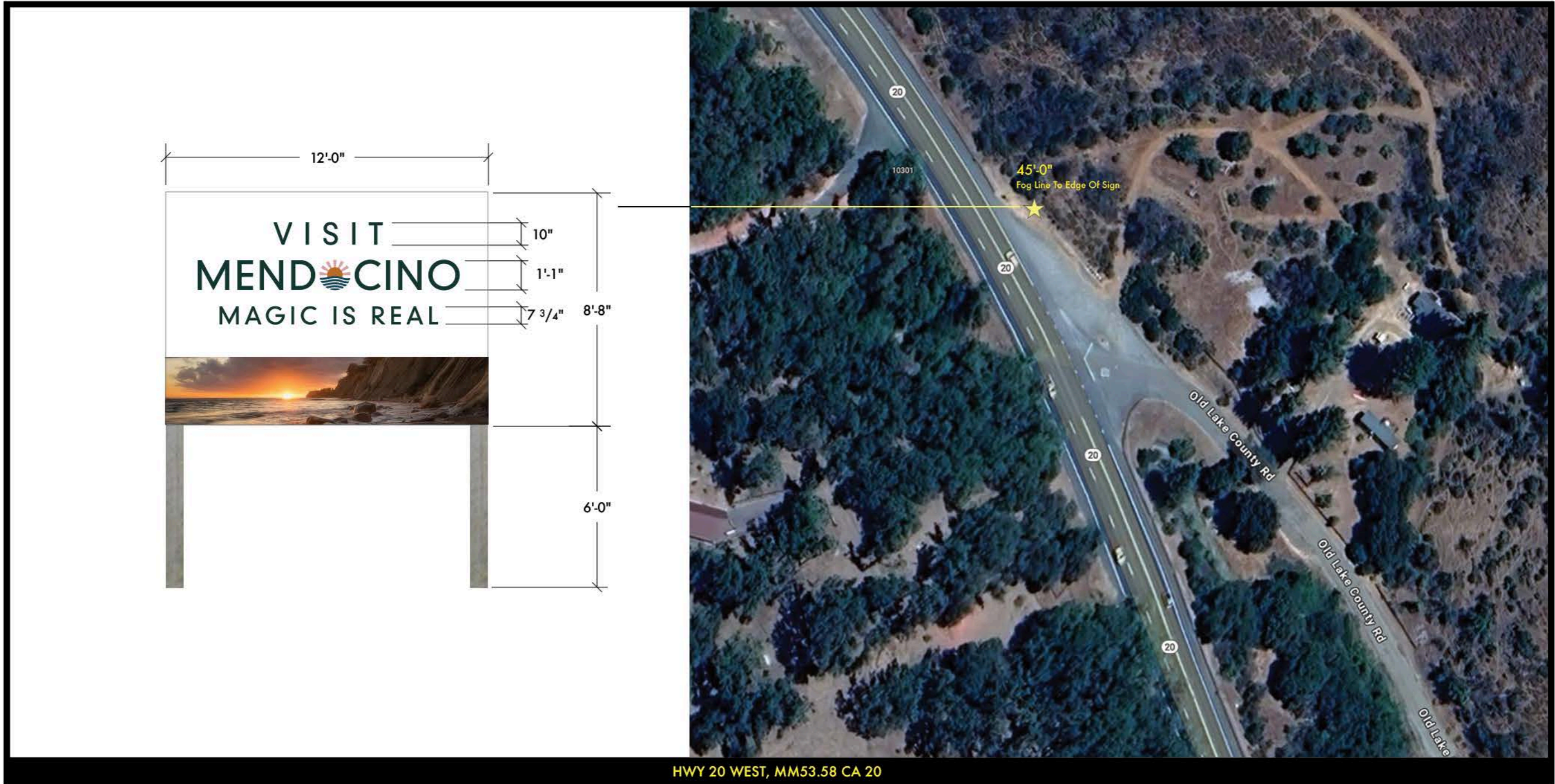
OVERALL PROJECT - GATEWAY SIGN LOCATION MAP



2701 Road I
Redwood Valley CA 95470
707.485.7555
707.485.5081 (Fax)
Lic. 636883

MICHAEL COX
DESIGN

1714 El Camino Way
Santa Rosa CA 95404
707.568.0398
mc-design@comcast.net



HWY 20 WEST, MM53.58 CA 20

	MICHAEL COX DESIGN	PROJECT	DESCRIPTION	PHASE	SCALE	DATE/REVISIONS	PAGE
---	------------------------------	---------	-------------	-------	-------	----------------	------

2701 Road I
Redwood Valley CA 95470
707.485.7555
707.485.5081 (Fax)
Lic. 636883

1714 EL CAMINO WAY
SANTA ROSA CA 95404
707.568.0398
mc-design@comcast.net

**VISIT
MENDOCINO**

GATEWAY SIGNAGE
HWY 20 WEST, MM53.58 CA 20

FINAL

NTS

6.12.2024

1.0

© 2024, all rights reserved. This drawing, and the concepts, ideas, and design development expressed herein are intended for use on this project only, and remain the sole property of the creators. Original design concepts developed as part of this work remain the property and copyright of their respective owners.



HWY 20 WEST, MM 53.58 CA 20

	MICHAEL COX DESIGN	PROJECT	DESCRIPTION	PHASE	SCALE	DATE/REVISIONS	PAGE
---	------------------------------	---------	-------------	-------	-------	----------------	------

2701 Road I
Redwood Valley CA 95470
707.485.7555
707.485.5081 (Fax)
Lic. 636883

1714 EL CAMINO WAY
SANTA ROSA CA 95404
707.568.0398
mc-design@comcast.net

VISIT MENDOCINO

GATEWAY SIGNAGE
HWY 20 WEST, MM 53.58 CA 20

DEVELOPMENT

1/16"=1'-0"

6.4.2024

2.0

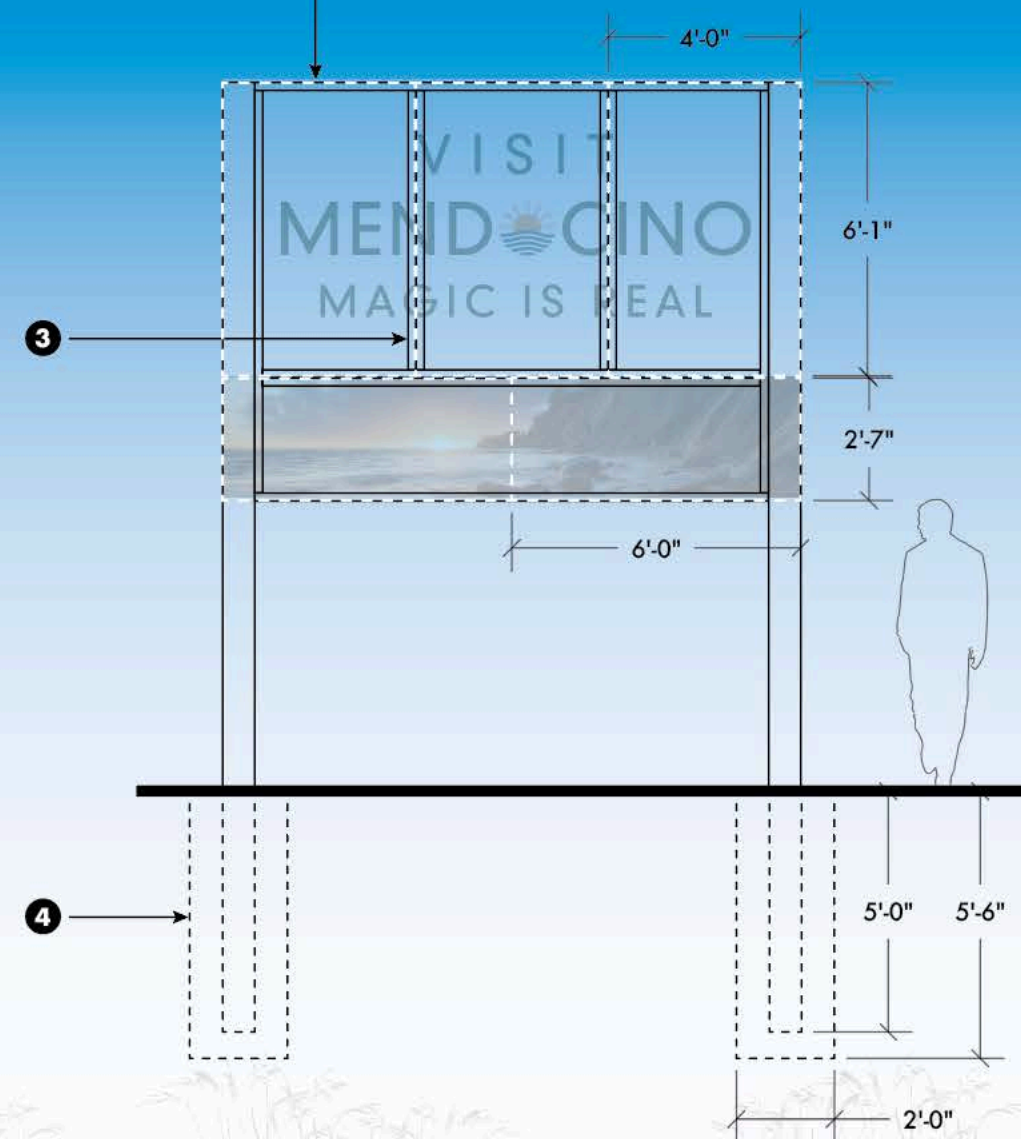
© 2024, all rights reserved. This drawing, and the concepts, ideas, and design development expressed herein are intended for use on this project only, and remain the sole property of the creators. Original design concepts developed as part of this work remain the property and copyright of their respective owners.

Sign Type: Gateway Signage (Single sided)
 Quantity: 1
 1: Digital printed face on .080 aluminum.
 2: 8" Pressure treated break away posts.
 3: 2"x4" Wood frame.
 4: Direct burial in concrete.

NOTE: Dashed lines indicate seams in face after printing to 4'x8' .080 aluminum.



FRONT VIEW - HWY 20 WEST, MM53.58 CA 20



FRAME DETAIL



MICHAEL COX
DESIGN

2701 Road I
Redwood Valley CA 95470
707.485.7555
707.485.5081 (Fax)
Lic. 636883

1714 EL CAMINO WAY
SANTA ROSA CA 95404
707.568.0398
mc-design@comcast.net

PROJECT	DESCRIPTION	PHASE	SCALE	DATE/REVISIONS	PAGE
VISIT MENDOCINO	GATEWAY SIGNAGE HWY 20 WEST, MM53.58 CA 20	FINAL	1/4" = 1'-0"	6.25.2024	3.0

© 2024, all rights reserved. This drawing, and the concepts, ideas, and design development expressed herein are intended for use on this project only, and remain the sole property of the creators. Original design concepts developed as part of this work remain the property and copyright of their respective owners.